

MAKE MY FISH - PART THREE

Continuing our series, we will have a look at making the chin turret accommodate weapon/sensor swaps. (With SMS available for Devilfish in future, according to rumour, I am thinking of making a modular Missile Pod for this too).

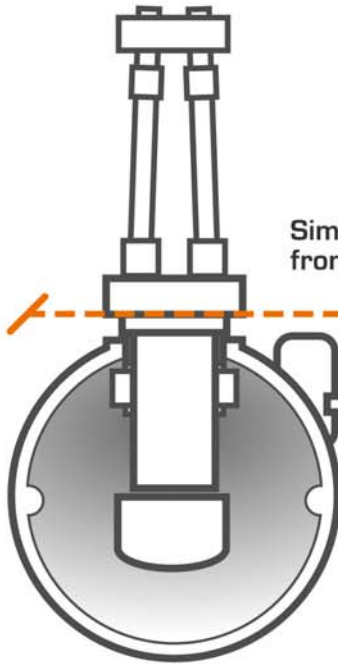
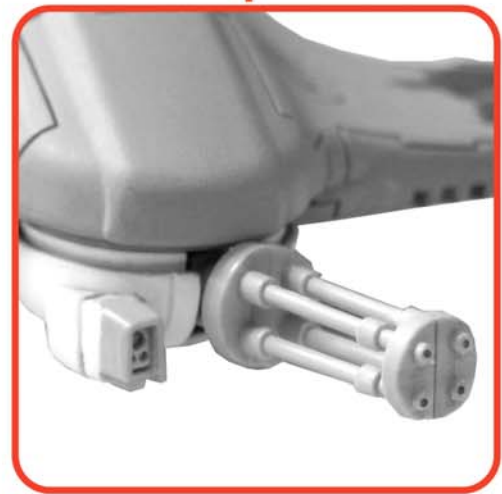
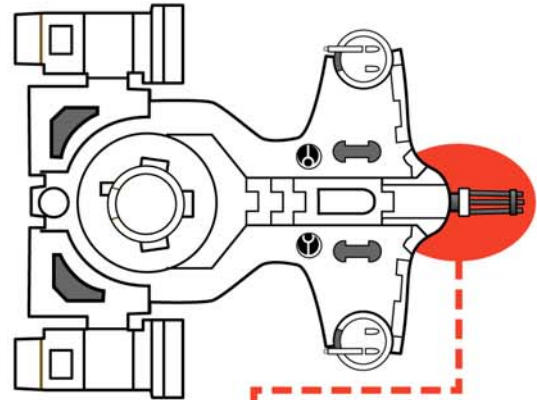
This particular tutorial is very simple, but requires you make careful and accurate cuts.

Cut where indicated, sand smooth the cut sections then drill with a 3mm drill bit as shown, embedding the magnets in the holes as far as indicated. Leaving the modular part magnets sticking out, allows the turret magnet to 'pull in' the attachments, making for a firmer, supported socket connection.

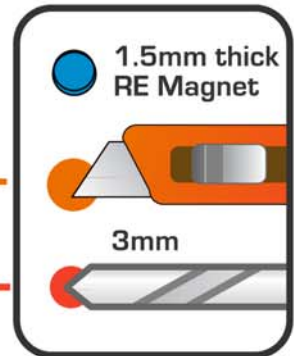
Using the Burst Cannon like this actually allows you to swivel and move the Sensor Array about also.

This tutorial requires :

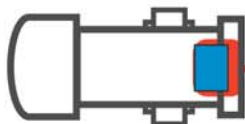
- 3 Rare Earth Disc Magnet 3 x 1.5mm thick (or smaller)
- 1mm and 3mm Drill bits for hand-drill
- Needle File with rasped butt-end (clean cut aways)
- Super Glue
- Plastic Tweezers



Simply cut the muzzles from the Cannon..



3mm x 1.5mm Rare Earth Magnet Disc



Drill 2mm deep into the mounted casing and 1mm into the Cannon Muzzle piece. Simply glue the magnet onto the Sensor.

A socket connection is what we are trying to achieve..

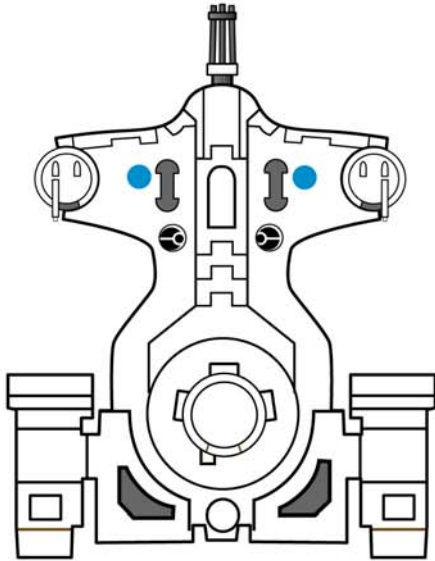


Additions :

Personally, I chop off the landing feet struts and glue them closed to the underside. No time to land in my Cadre, it's all go and hover moder when you do stop.

Seeker Missiles are attached to my Devilfish with a couple of magnets carefully placed into the hull underside. Not flush, sticking out slightly so as to socket with the magnet I embed into the 'weapon arm' of the Seeker. I carve out a section of the 'Arm', then place a magnet there, about 1mm deeper than the top of the arm.

Much like the Burst Cannon magnetic socket, this is similar, offering stability and firm hold. The diagram below shows roughly where I put my hull magnets on the underside (using blue dots):



Magnets

<http://www.aussiemagnets.com.au>

<http://www.gaussboys.com>

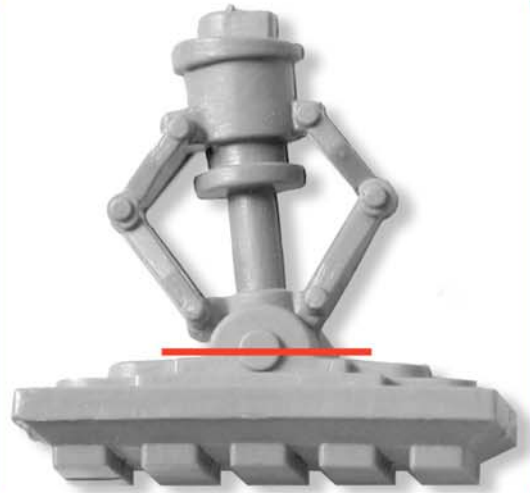
Remember, take your time. Ask for help if you are unsure about drilling, cutting or gluing.

Until next ro'taa,
Shas'El Tael

aka Sebastian Stuart.
Eastern-Empire.com, TauOnline.org
groups.msn.com/MechanizedTauTactica

This tutorial is version 3.1
11/10/2005

LANDING GEAR



About here is where I make my cut to remove the strut portion.

SEEKER WITH MAGNET



Place slightly forward, and embedded a little deeper than the thickness of the magnet, you can create a firm magnetic socket join this way.